



Wireless Indoor / Outdoor Thermometer with Indoor Humidity and Self-Setting Atomic Clock Model: RMR383HGA

USER MANUAL

INTRODUCTION

Thank you for selecting this Oregon Scientific™ Wireless Indoor / Outdoor Thermometer with Indoor Humidity and Self-Setting Atomic clock (RMR383HGA). This clock is supplied with a remote sensor (THN132N) and can support up to 3 sensors in total (additional sensors sold separately).

NOTE Please keep this manual handy as you use your new product. It contains practical step-by-step instructions, as well as technical specifications and warnings you should know about.

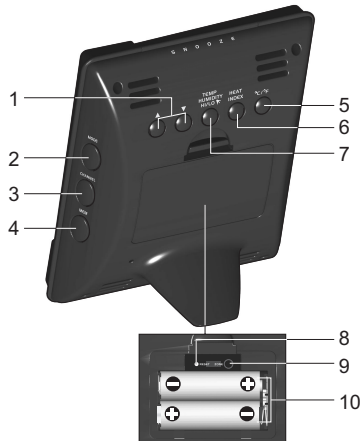
CLOCK OVERVIEW

FRONT VIEW



1. **SNOOZE**
2. Temperature and Humidity Area
3. Clock / Alarm Area
4. **ALARM**: View alarm status; set alarm

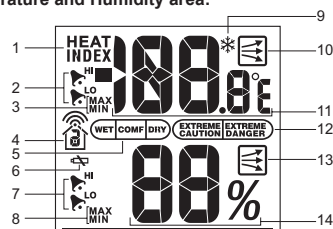
BACK VIEW



1. ▲ / ▼ : Increase / decrease setting; activate / deactivate clock reception signal
2. **MODE**: Change settings / display
3. **CHANNEL**: Switch remote sensor display
4. **MEM**: View current, maximum and minimum temperature / humidity
5. °C / °F: Select temperature unit
6. **HEAT INDEX**
7. **TEMP / HUMIDITY HI / LO** : Change settings or enable / disable hi / lo temperature / humidity alarm
8. **RESET**: Reset unit to default settings
9. **ZONE**: Toggle US time zone
10. Battery compartment

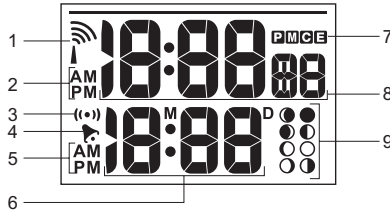
LCD DISPLAY

Temperature and Humidity area:



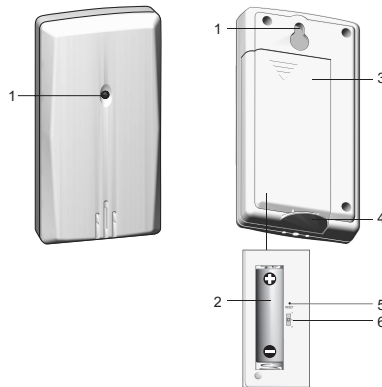
1. Heat Index icon
2. Hi / lo temperature alarm
3. Max / min temperature icon
4. Sensor reception icon
5. Comfort Zone
6. Battery low icon
7. Hi / lo humidity alarm
8. Max / min humidity icon
9. Ice warning is active
10. Temperature trend
11. Temperature
12. Heat Index warning
13. Humidity
14. Humidity trend

Clock / Alarm area:



1. Clock signal reception
2. AM / PM mode selected
3. Alarm mode
4. Alarm set
5. AM / PM mode selected
6. Alarm time
7. US time zone
8. Clock
9. Moon phase

REMOTE SENSOR (THN132N)

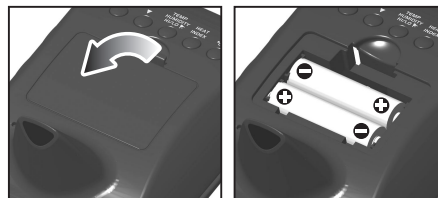


1. LED indicator
1. Wall mount
2. Battery compartment
3. Battery door
4. Table stand
5. **RESET**
6. **CHANNEL** switch

GETTING STARTED

BATTERIES

Insert batteries before first use, matching the polarity (+ and -). Press **RESET** after each battery change.



indicates main unit batteries are low.

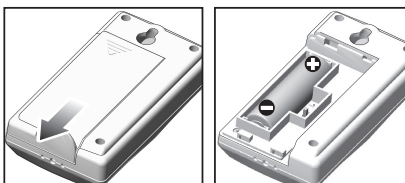
NOTE Do not use rechargeable batteries. We recommend that you use alkaline batteries with this product for longer usage and lithium batteries in temperatures below freezing.

REMOTE SENSOR

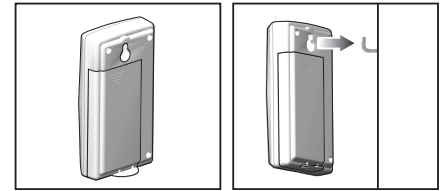
The sensor collects temperature readings approx. every 40 seconds and sends them to the main unit. The main unit can collect data from up to 3 sensors.

To set up the sensor:

1. Slide open the battery door.
2. Insert the batteries, matching the polarity (+ / -). Reset the sensor after each battery change.
3. Select a channel. Make sure you use a different channel for each sensor.



4. Close the battery compartment.
5. Secure the sensor in the desired location using the wall mount or table stand.



For best results:

- Place the sensor out of direct sunlight and moisture.
- Do not place the sensor more than 30 m (100 ft) from the main (indoor) unit.
- Position the sensor so that it faces the main (indoor) unit, minimizing obstructions such as doors, walls, and furniture.
- Place the sensor in a location with a clear view to the sky, away from metallic or electronic objects.
- Position the sensor close to the main unit during cold winter months as below-freezing temperatures may affect battery performance and signal transmission.

The transmission range may vary depending on many factors. You may need to experiment with various locations to get the best results.

Standard Alkaline batteries contain significant amounts of water. Because of this they will freeze in low temperatures of approximately -12°C (10°F). Disposable Lithium batteries have a much lower threshold for temperature with an estimated freezing range of below -30°C (-22°F).

Wireless ranges can be impacted by a variety of factors such as extremely cold temperatures. Extreme cold may temporarily reduce the effective range between the sensor and the base station. If the unit's performance fails due to low temperature, the unit will resume proper functioning as the temperature rises to within the normal temperature range (i.e. no permanent damage will occur to the unit due to low temperatures).

SENSOR DATA TRANSMISSION

The sensor reception icon in the temperature and humidity area shows the status.

ICON	DESCRIPTION
	Main unit is searching for the sensor(s)
	A channel has been found and sensor signal is being received
	The sensor cannot be found. Search for the sensor or check batteries

To search for a sensor:

Simultaneously, press and hold **MEM** and **CHANNEL** for 2 seconds.

NOTE If the sensor is still not found, check the batteries, obstructions, and remote unit location.

CLOCK

CLOCK RECEPTION

This product is designed to synchronize its date and time automatically once it is within range of the WWVB-60 signal from the atomic clock in Fort Collins, Colorado.

The clock collects the radio signals whenever it is within 3219 km (2000 miles) of a signal.

NOTE Press **ZONE** to select the US time zone: Pacific (P), Eastern (E), Central (C) or Mountain (M).

NOTE Initial reception takes 2-10 minutes for first set up or when **RESET** is pressed. Once complete, the reception icon will stop blinking. If the signal is weak, it can take up to 24 hours to get a valid signal.

RECEPTION SIGNAL

Clock signal reception indicator:

STRONG SIGNAL	WEAK SIGNAL	NO SIGNAL

To enable and force a signal search:

Press and hold ▲ for 2 seconds.

To disable the signal reception:

Press and hold ▼ for 2 seconds.

SET CLOCK

If the clock signal reception is enabled and a signal is being received the clock does not need to be manually set.

To manually set the clock:

1. Press and hold **MODE** for 2 seconds.
2. Press ▲ and ▼ to change the settings.
3. Press **MODE** to confirm.
4. The setting sequence is: 12/24 hour format, hour, minute, year, date / month format, month, date, and display language.

NOTE The language options are English (E), German (D), French (F), Italian (I), and Spanish (S).

To switch the clock display:
Press **MODE** to toggle between:
• Clock with day
• Clock with seconds

ALARM

To set the alarm:
1. Press and hold **ALARM** for 2 seconds.
2. Press **▲** / **▼** to set alarm time.
3. Press **MODE/SNOOZE** to confirm. **▶** indicates alarm is ON.

To enable / disable the alarm:
1. Press **ALARM** to display alarm time.
2. Press **ALARM** again to turn alarm **ON / OFF**.

To silence the alarm:
• Press **SNOOZE** to silence it for 8 minutes.
OR
• Press any key except **SNOOZE** to turn the alarm off and activate it again after 24 hours.

TEMPERATURE AND HUMIDITY

To toggle temperature unit:
Press **°C** / **°F**.

To view outdoor sensors temperature readings:
Press **CHANNEL**.

To auto-scan between sensors:
Press and hold **CHANNEL** for 2 seconds. Each sensor's data is displayed for 3 seconds.

To end auto-scan:
Press **CHANNEL** or **MEM**.

To toggle between current, minimum and maximum records for the selected sensor:
Press **MEM** repeatedly.

To clear the records:
Press and hold **MEM** for 2 seconds.

TEMPERATURE AND HUMIDITY TREND

The temperature and humidity trend icons are based on recent readings.

RISING	STEADY	FALLING

ICE WARNING

If the channel 1 sensor falls between 3°C to -2°C (37°F to 28°F), ***** flashes to warn you that the temperature is approaching freezing.

NOTE The warning will automatically stop if the temperature goes outside the ice-warning range.

HI / LO TEMPERATURE / HUMIDITY ALARM

An alarm can be set to sound if sensor set to channel 1 records above or below a temperature / humidity of your choice.

To set alarm ON/OFF:
1. Press and hold **TEMP / HUMIDITY HI / LO** **▶**.
2. Use **▲** and **▼** to select high / low temperature / humidity alarm. Press **TEMP / HUMIDITY HI / LO** **▶** to confirm.
3. Press **▲** / **▼** to set alarm **ON / OFF** and press **TEMP / HUMIDITY HI / LO** **▶** to confirm.
4. If alarm has been activated, use **▲** and **▼** to select the temperature / humidity.
5. Press **TEMP / HUMIDITY HI / LO** **▶** to confirm.

To silence the alarm:
Press any key. The alarm resets automatically and will resound if the hi / lo temperature selected is recorded again.

NOTE The THN132N sensor supplied does not support humidity readings. To enable Hi / Lo Humidity alarm a thermo-hygro sensor must be purchased and set to channel 1. For further information on compatible sensors such as the THGR268 thermo-hygro sensor please check with your local retailer or go to www2.oregonscientific.com.

HEAT INDEX

The heat index combines temperature and humidity data to describe the actual temperature felt. The THN132N sensor supplied does not support heat index display. A thermo-hygro sensor must be purchased to enable heat index display for channels 1-3.

WARNING	HEAT INDEX	MEANING
Extreme danger	54.5°C (130°F) or above	Strong risk of dehydration / sun stroke
Danger	40.5 - 54°C (105 - 129°F)	Heat exhaustion likely
Extremecaution	32.2 - 40°C (90 - 104°F)	Possibility of heat dehydration
Caution	26.6-31.7°C (80- 89°F)	Possibility of heat exhaustion

- To display the heat index, press **HEAT INDEX**.
- To toggle between current / maximum / minimum readings, press **HEAT INDEX**, then press **CHANNEL** to select channel 1-3 or indoor, followed by **MEM**.
- To toggle between temperature / humidity and heat index display, press and hold **HEAT INDEX** for 2 seconds. Press **HEAT INDEX** again to stop this feature.

NOTE If the heat index is below 80°F / 26°C, if the selected sensor does not support humidity measurement or if the channel is not working, the heat index will display NA .

COMFORT ZONE

The comfort zone assesses the climate based on current temperature and humidity measurements.

ICON	TEMPERATURE	HUMIDITY
	Any	> 70%
	20 - 25°C (68 - 77°F)	40 - 70%
	Any	< 40%

MOON PHASE

- When calendar is set press **▲** or **▼** to view the moon phase for the next / previous day.
- Press and hold **▲** or **▼** to scan through the years (2001 to 2099).

	New Moon
	Waxing Crescent
	First quarter
	Waxing Gibbous
	Full Moon
	Waning Gibbous
	Last quarter
	Waning Crescent

RESET

Press **RESET** to return to the default settings.

PRECAUTIONS

This product is engineered to give you years of satisfactory service if you handle it carefully. Here are a few precautions:

- Do not subject the unit to excessive force, shock, dust, temperature or humidity, which may result in malfunction, shorter electronic life span, damaged battery and distorted parts.
- Do not immerse the unit in water. If you spill liquid over it, dry it immediately with a soft, lint-free cloth.
- Do not clean the unit with abrasive or corrosive materials.
- Do not tamper with the unit's internal components. Doing so will invalidate the warranty on the unit and may cause unnecessary damage. The unit contains no user-serviceable parts.
- Only use fresh batteries as specified in the user's instructions. Do not mix new and old batteries.
- Due to printing limitations, the displays shown in this manual may differ from the actual display.
- The contents of this manual may not be reproduced without the permission of the manufacturer.
- Do not dispose this product as unsorted municipal waste. Collection of such waste separately for special treatment is necessary.

NOTE The technical specifications for this product and the contents of the user manual are subject to change without notice.

SPECIFICATIONS

TYPE	DESCRIPTION
MAIN UNIT	
L x W x H	110 x 69 x 140 mm (4.3 x 2.7 x 5.5 in)
Weight	153 g (5.34 oz) without battery
Temperature unit	°C / °F
Temperature range	-5°C to 50°C (23°F to 122°F)
Resolution	0.1°C (0.2°F)
Clock frequency	WWVB-60
Synchronization	Auto or disabled
Signal frequency	433 MHz
Clock	Auto or manual (disabled)
Humidity range	25% - 95%
Humidity resolution	1%

MEM	Min / Max relative humidity and temperature
Alarm duration	2 minutes
Snooze	8 minutes
Clock display	HH:MM:SS HH:MM:Day of Week
Hour format	12 / 24 hour format
Calendar	MM / DD or DD / MM language selectable: E, D, F, I and S
Power	2 x UM-3 (AA) 1.5 V batteries

REMOTE UNIT

L x W x H	96 x 50 x 22 mm (3.8 x 2.0 x 0.9 in)
Weight	62 g (2.22 oz) without battery
Transmission range	30 m (100 ft) unobstructed
Temperature range	-30°C to 60°C (-22°F to 140°F)
Power	1 x UM-3 (AA) 1.5 V battery

NOTE It is recommended that you use alkaline batteries with this product for longer performance.

ABOUT OREGON SCIENTIFIC

Visit our website (www.oregonscientific.com) to learn more about Oregon Scientific products such as digital cameras; MP3 players; children's electronic learning products and games; projection clocks; health and fitness gear; weather stations; and digital and conference phones. The website also includes contact information for our Customer Care department in case you need to reach us, as well as frequently asked questions and customer downloads.

We hope you will find all the information you need on our website, however if you're in the US and would like to contact the Oregon Scientific Customer Care department directly, please visit:

www2.oregonscientific.com/service/default.asp

OR
Call 1-800-853-8883.

For international inquiries, please visit:
www2.oregonscientific.com/about/international.asp

FCC STATEMENT

This device complies with Part 15 of the FCC Rules. Operation is subject to the following two conditions: (1) This device may not cause harmful interference, and (2) This device must accept any interference received, including interference that may cause undesired operation.

WARNING Changes or modifications not expressly approved by the party responsible for compliance could void the user's authority to operate the equipment.

NOTE This equipment has been tested and found to comply with the limits for a Class B digital device, pursuant to Part 15 of the FCC Rules. These limits are designed to provide reasonable protection against harmful interference in a residential installation.

This equipment generates, uses and can radiate radio frequency energy and, if not installed and used in accordance with the instructions, may cause harmful interference to radio communications. However, there is no guarantee that interference will not occur in a particular installation. If this equipment does cause harmful interference to radio or television reception, which can be determined by turning the equipment off and on, the user is encouraged to try to correct the interference by one or more of the following measures:

- Reorient or relocate the receiving antenna.
- Increase the separation between the equipment and receiver.
- Connect the equipment into an outlet on a circuit different from that to which the receiver is connected.
- Consult the dealer or an experienced radio / TV technician for help.

DECLARATION OF CONFORMITY

The following information is not to be used as contact for support or sales. Please call our customer service number (listed on our website at www.oregonscientific.com), or on the warranty card for this product) for all inquiries instead.

We
Name: Oregon Scientific, Inc.
Address: 19861 SW 95th Ave., Tualatin,
Oregon 97062 USA
Telephone No.: 1-800-853-8883

declare that the product

Product No.: RMR383HGA
Product Name: Wireless Indoor / Outdoor Thermometer with Indoor Humidity and Self-Setting Atomic Clock
Manufacturer: IDT Technology Limited
Address: Block C, 9/F, Kaiser Estate,
Phase 1, 41 Man Yue St.,
ung Hom, Kowloon,
Hong Kong

is in conformity with Part 15 of the FCC Rules. Operation is subject to the following two conditions: 1) This device may not cause harmful interference. 2) This device must accept any interference received, including interference that may cause undesired operation.

© 2006 Oregon Scientific. All rights reserved.
086L004390-014